

SupportLink

News and Information from SMART's Services Team

www.smarttech.com/support

Volume 1, Issue 3 | February 2010

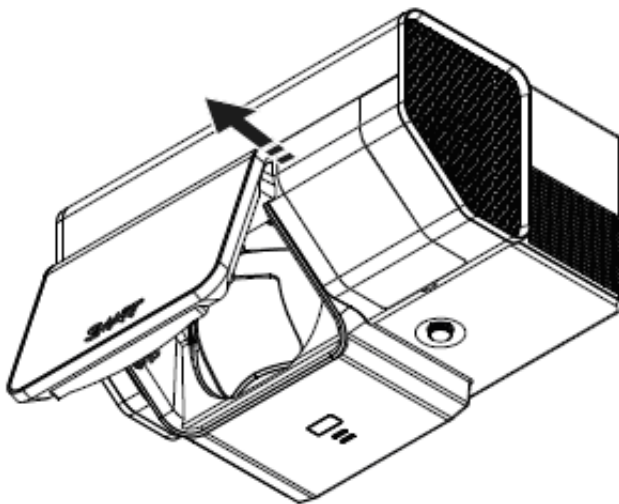
Replacing Your UX60 Projector's Lamp Module

When you need to replace the lamp module in your UX60 projector, you can perform this simple procedure without removing the projector from the wall. All you need is your replacement lamp module, a Phillips No. 2 screwdriver and a flat screwdriver.

You can find the following instructions and other useful information in the *SMART Board 685ix Interactive Whiteboard System Configuration and User's Guide* ([document 137396](#)).

To remove the old UX60 projector lamp

1. Turn off the power by pressing the power button twice on the remote control or the extended control panel (ECP).
2. Wait at least 30 minutes for the projector to cool down, and then disconnect the power cable from the wall outlet.
3. Pull the lamp cover forward and remove it from the projector. Put the lamp cover in a safe place. You don't need to remove the projector from the wall.

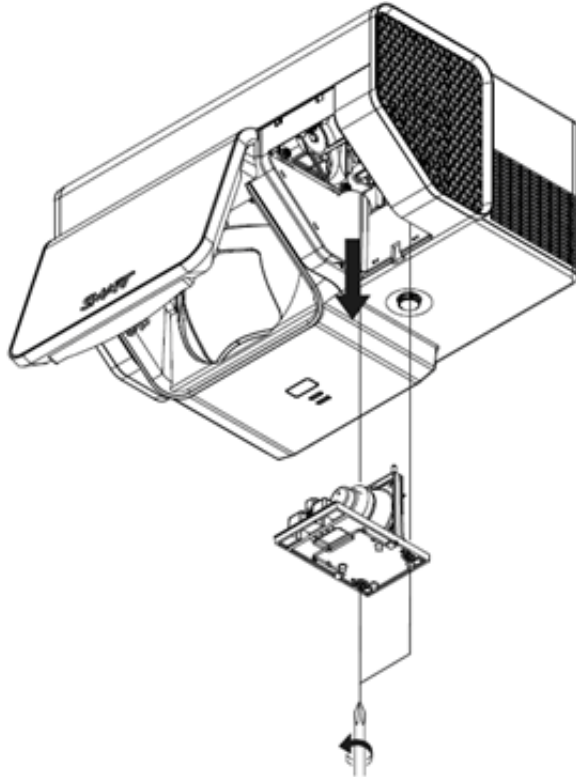


Tip: If the cover is difficult to remove, insert a flat screwdriver or small coin into the slot on the bottom of the lamp cover to gently remove the cover.

4. Use a Phillips No. 2 screwdriver to loosen the two captive screws from the bottom of the lamp module.

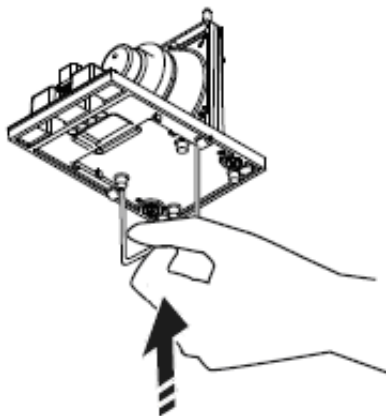
Note: Captive screws can't be removed, but they must be loose. Don't try to remove the screws.

5. Use the handle on the bottom of the lamp module to slide out the lamp and remove it from the projector.



To install the new lamp module

1. Take the new lamp module out of its packaging.
2. Carefully place the new lamp module into the projector using the handle on the top of the module. When you guide the lamp module into its slot, hold it vertically, and ensure the power plug makes contact with the power receptacle on the projector by squeezing the power end of the lamp module gently against the projector.



3. Use the Phillips screwdriver to tighten the captive screws.
4. Place the lamp cover back onto the projector and connect the power cable to the wall outlet.
5. Confirm that the projector is operating and that the lamp module is correctly installed by

pressing the power button once on the remote control or ECP.

6. Put the old lamp in a secure container. Handle the old lamp gently until you recycle it.

To finish the projector lamp installation

1. Once you've completed the projector lamp change, turn on the projector.
2. Access the service menu to reset the lamp hour counter.
3. Reactivate the projector's alert e-mails and lamp warnings if they've been deactivated.

You can find a complete range of helpful documents for the SMART Board 685ix interactive whiteboard system by clicking **Front Projection SMART Board interactive whiteboard** on [SMART's Support website](#), and then clicking the **600ix series** link.

